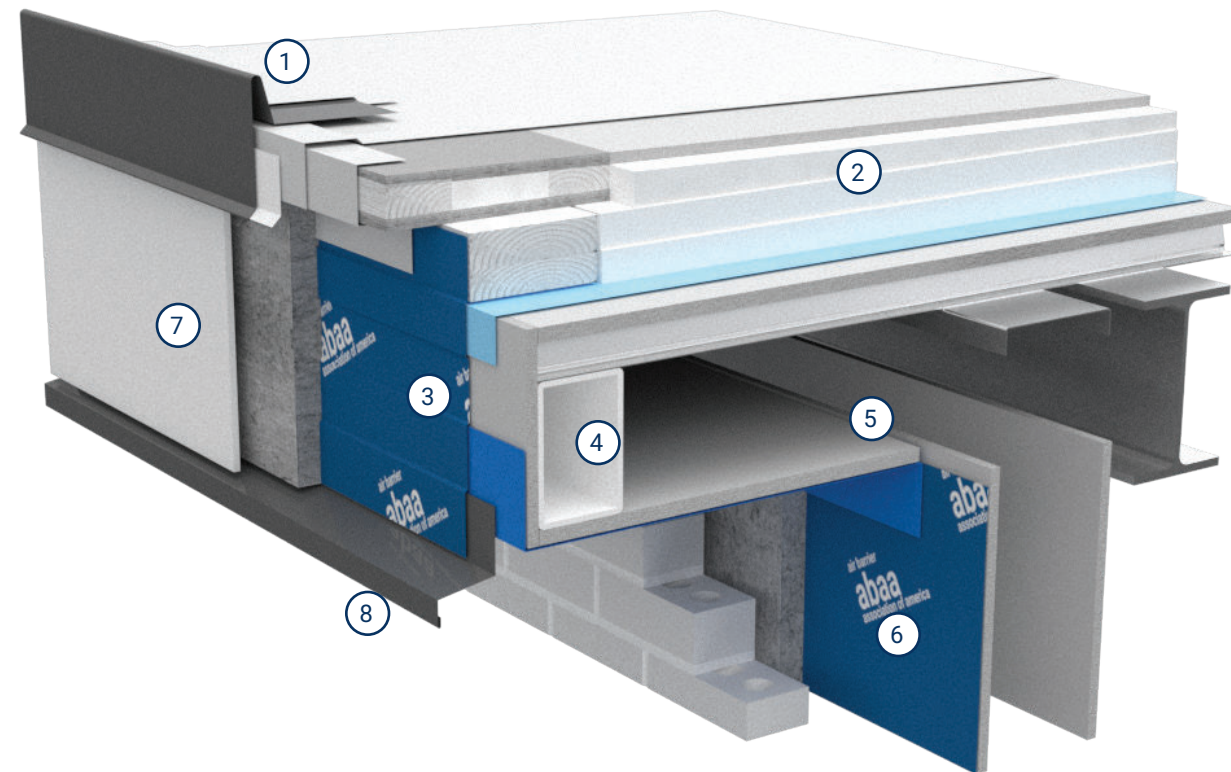


Detail CL3

Roof Overhang - With Air Barrier Wrapped Overhang (3D)

View from Top Right



① Typical roof edge membrane and flashing detailing

② Roof Assembly:

- Roof membrane
- Roof coverboard
- Roof insulation
- **Roof deck air barrier**
- Roof substrate board
- Roof structural deck
- Roof structure

③ Wall air and water-resistive barrier transition at face of sheathing

④ Framing as needed to support soffit sheathing and cladding

⑤ Deflection joint

⑥ **Wall air and water-resistive barrier**

⑦ Cladding

⑧ Sheet metal flashing lapped into wall water-resistive barrier

View from Bottom Right

