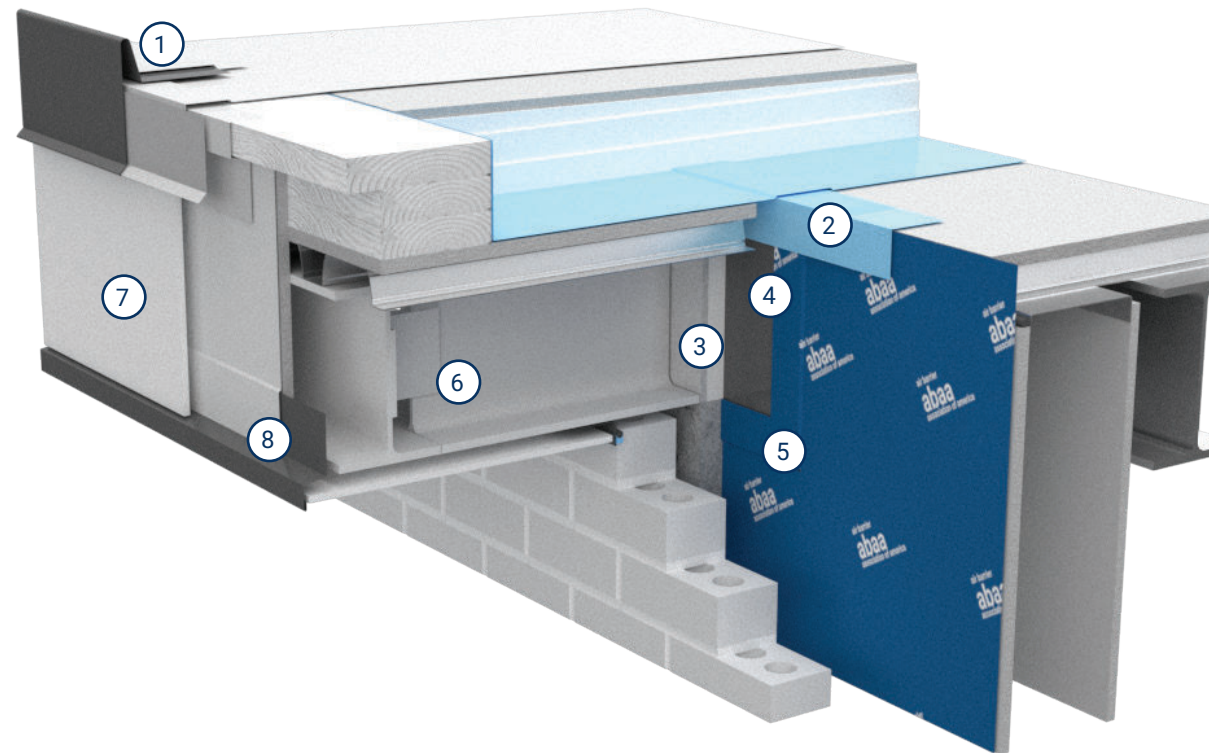


# Detail CL2

## Roof Overhang - With Structural Thermal Break (3D)

View from Top Right



- ① Typical roof edge membrane and flashing detailing
- ② Pre-strip of roof air and vapor barrier membrane to lap onto sheet metal flashing
- ③ Structural thermal break
- ④ Sheet metal flashing sandwiched within structural thermal break. Extend up to top of sheathing.
- ⑤ Lap wall air and water-resistive barrier onto metal plate
- ⑥ Framing as needed to support soffit cladding
- ⑦ Cladding
- ⑧ Sheet metal flashing lapped into wall water-resistive barrier

View from Bottom Right

