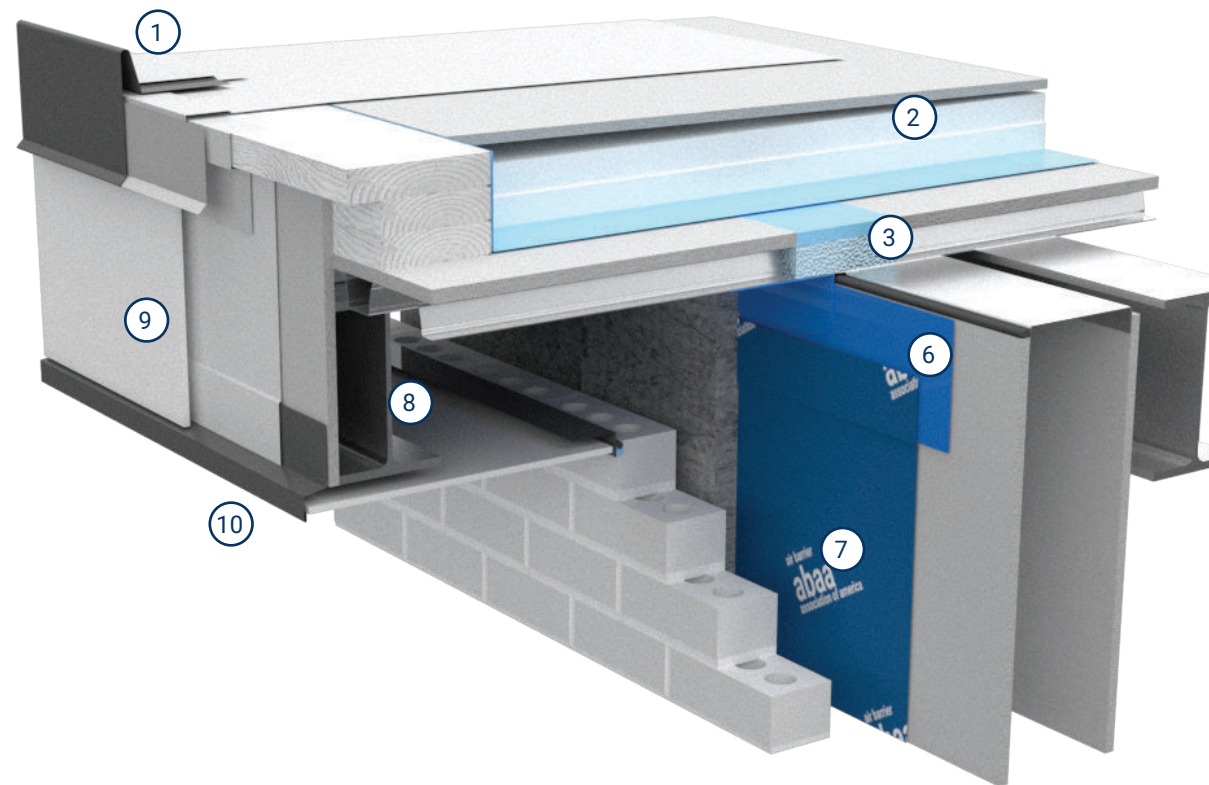


# Detail CL1

## Roof Overhang - With Air Barrier Transition Through Metal Deck (3D)

View from Top Right



- ① Typical roof edge membrane and flashing detailing
- ② Roof Assembly:
  - Roof membrane
  - Roof coverboard
  - Roof insulation
  - **Roof deck air barrier**
  - Roof substrate board
  - Roof structural deck
  - Roof structure
- ③ Spray foam plug applied from above into deck flutes as roof substrate board is installed
- ④ Backer rod
- ⑤ **Flexible transition membrane. Seal to underside of metal deck and to wall air and water-resistant barrier**
- ⑥ **Compatible flashing membrane, if needed, to transition between flexible transition membrane and wall air and water-resistant barrier**
- ⑦ Wall air and water-resistant barrier
- ⑧ Framing as needed to support soffit cladding
- ⑨ Cladding
- ⑩ Sheet metal flashing lapped into wall water-resistant barrier

View from Bottom Right

